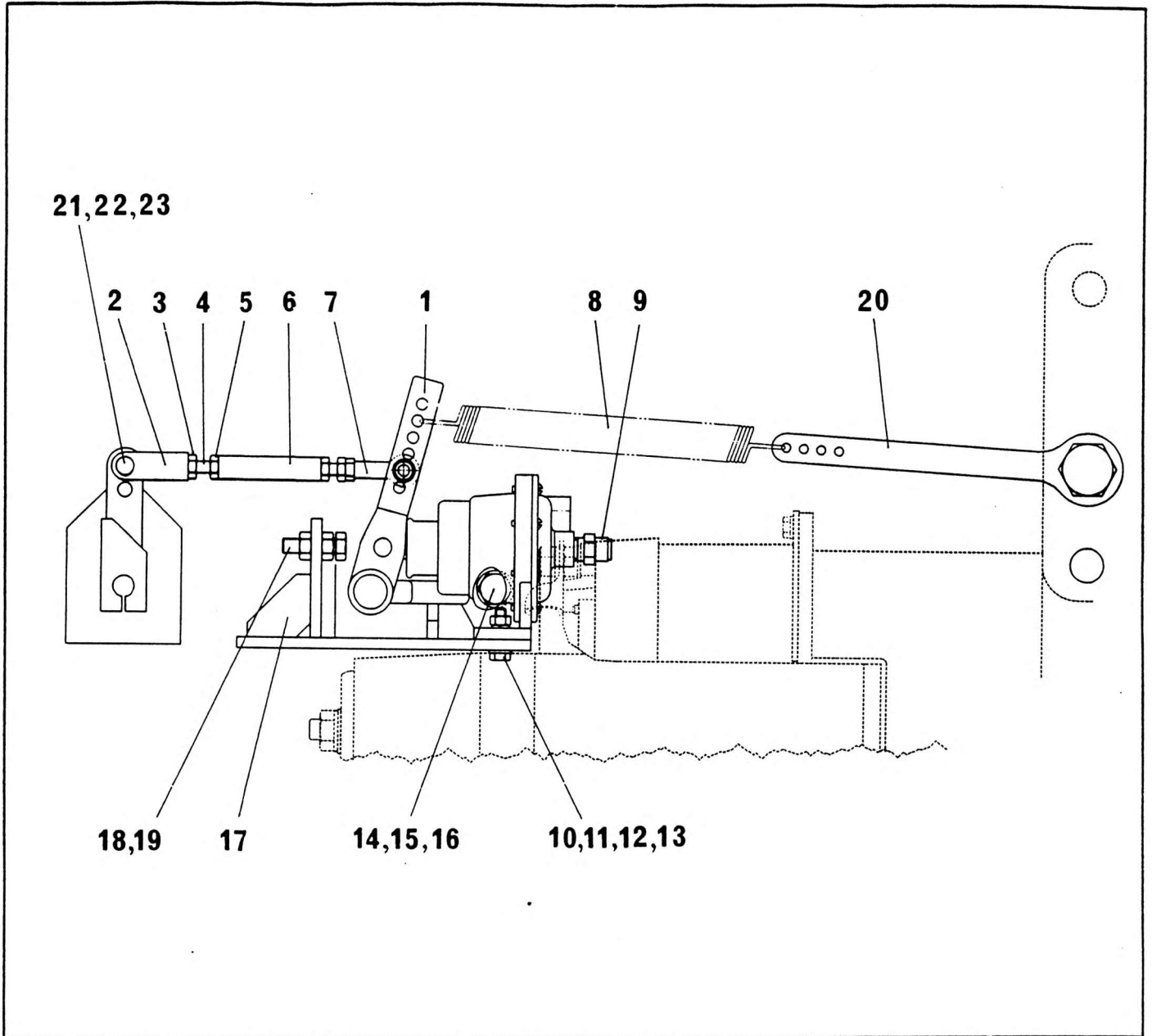


THROTTLE SLAVE CYLINDER & LINKAGE ASSY



NO.	PART NO	QTY.	DESCRIPTION	NO.	PART NO	QTY.	DESCRIPTION
1+	7-372-001740	1	Throttle Cylinder	15	7-951-190014	2	Washer M10
2	6-308-990037	1	Clevis - $\frac{3}{8}$ " Hole x $\frac{1}{4}$ " UNF	16	7-951-190210	2	Washer Spring M10
3	7-660-140030	3	Nut $\frac{1}{4}$ "	17	6-184-992364	1	Bracket
4	6-864-990097	1	Stud $\frac{1}{4}$ " UF	18	7-126-171853	1	Screw M8 x 55 Lg
5	7-659-000788	1	Jam Nut $\frac{1}{4}$ " LH	19	7-661-170003	2	Nut 8mm
6	6-914-000518	1	Turnbuckle	20	6-705-999955	1	Spring Support
7	6-864-990098	1	Stud $\frac{1}{4}$ " UNF	21	7-690-151600	1	Clevis Pin
8	7-834-000015	1	Spring	22	7-691-062500	1	Cotter Pin M2 x 25
9	7-443-990964	1	Adapter $\frac{1}{2}$ " NPTF x $\frac{1}{2}$ " Tube	23	7-950-150151	2	Washer 5/16"
10	7-126-151253	2	Screw M6 x 25 Lg	+ See further breakdown in this group			
11	7-951-150014	2	Washer M6				
12	7-951-150210	2	Spring Washer M6				
13	7-661-150003	2	Nut M6				
14	7-126-191253	2	Screw M10 x 25 Lg				